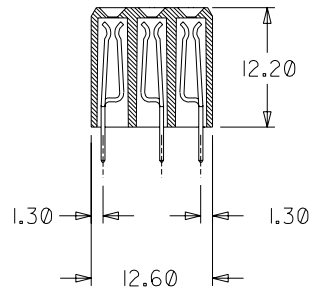
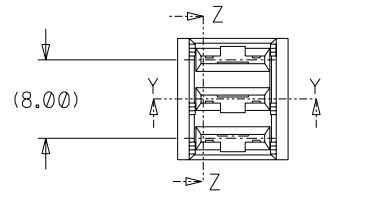
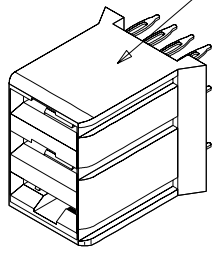
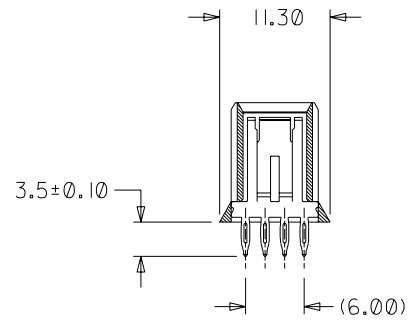


| ASSEMBLY NUMBER | FINISH |
|-----------------|-------------|
| 73656-0000 | SEE NOTE 2. |
| 73656-0001 | SEE NOTE 3. |

DATE CODE AND PART NUMBER ON THIS SURFACE OR SURFACE OPPOSITE.



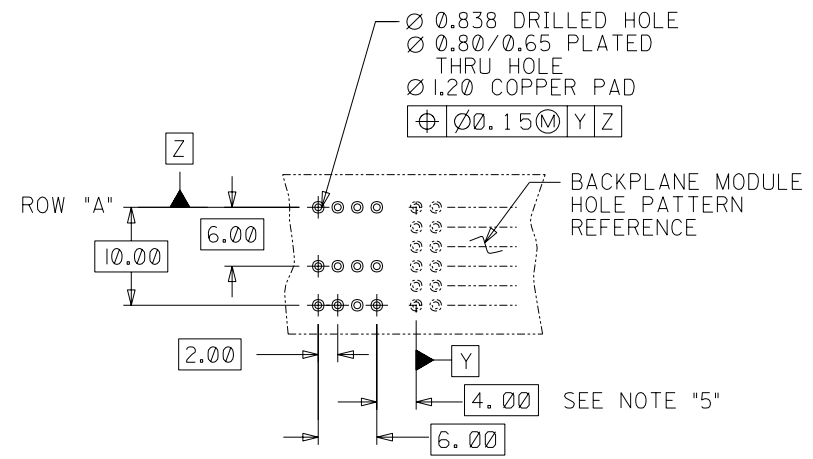
SECTION: Z-Z
ROTATED 90° CW



SECTION: Y-Y

NOTES:

1. MATERIALS: HOUSING - LIQUID CRYSTAL POLYMER (LCP), GLASS-FILLED, UL94V-0, COLOR: BLACK
TERMINAL - COPPER ALLOY
2. FINISH: SELECTIVE GOLD (Au) IN CONTACT AREA, 0.00076mm MINIMUM THICKNESS; NICKEL (Ni) AND GOLD FLASH OVERALL
3. FINISH: SELECTIVE GOLD (Au) IN CONTACT AREA, 0.00076mm MINIMUM THICKNESS; TIN / LEAD OVER NICKEL IN COMPLIANT AREA; NICKEL (Ni) OVERALL ON REMAINING WITH SEL. GOLD FLASH.
4. THIS DIMENSION MUST BE A MULTIPLE OF 4.00mm.
5. DIMENSIONS ARE IN MILLIMETERS.
6. THIS PART CONFORMS TO MOLEX PRODUCT SPECIFICATION PS-73670-9999.
7. ASSEMBLIES PACKAGE PER PK-70873-0819.



PCB LAYOUT: COMPONENT SIDE
RECOMMENDED PCB THICKNESS: 2.50 MIN

| | |
|----|------|
| 4 | G |
| 3 | G |
| 2 | D |
| 1 | G |
| SH | REV. |

| | | | |
|------|---|------|---|
| G | ADD TOLERANCE PER UCP2004-1027 ELO 03/11/26 | D | NEW MIDPLANE PER UDT2000-1298 ELO 00/06/20 |
| F | ADD SHEET 4 PER UCP2003-0012 ELO 02/07/03 | C | ADD TAIL LENGTH PER UDT2000-1240 ELO 00/06/08 |
| E | ADD -5001 P/N PER UDT2002-0540 ELO 01/10/03 | B | DATE CODE PER UDT2000-0399 ELO 99/10/26 |
| LTR. | REVISIONS | LTR. | REVISIONS |

| DIMENSIONS SHOWN (METRIC) INCH | |
|---|-------|
| UNLESS OTHERWISE SPECIFIED TOLERANCES: ANGULAR ± 1/2° | |
| | |
| 3 PLACE | ± N/A |
| 2 PLACE | ± N/A |
| 1 PLACE | ± --- |

DRAFT WHERE APPLICABLE MUST REMAIN WITHIN DIMENSIONS

| | |
|----------------|----------------|
| DRWG. BY: ELO | CHK'D. BY: SMR |
| APP'D. BY: CAB | SCALE: 2 : 1 |

| TITLE | | REVISE ONLY ON CAD SYSTEM | |
|--|--|---------------------------|---------------|
| SALES ASSY, HDM BACKPLANE POWER MODULE (PRESS FIT) | | | |
| MOLEX INCORPORATED LISLE, ILL. 60532 U.S.A. | | SHEET NO. 1 OF 4 | DATE 98/05/21 |
| PART NO. SDA-73656-* | | DRWG. NO. *00* | |
| SEE CHART | | | |
| FILE NAME: S73656X1 DGN | THIS DRAWING CONTAINS INFORMATION THAT IS PROPRIETARY TO MOLEX INC. AND SHOULD NOT BE USED WITHOUT WRITTEN PERMISSION. | | DIV. DA |
| | | | SIZE B |